

# GM-iWPT-301-SS WIRELESS BLUETOOTH TEMPERATURE AND PRESSURE TRANSMITTER

## APPLICATIONS:

The *Wireless Bluetooth temperature and pressure transmitter* is used in the field where the power supply is inconvenient, such as transportation pipelines of oil, steam, heating and so on, to monitor the temperature and pressure.

With the **Bluetooth receiving module**, the data collected can be monitored by the APP.



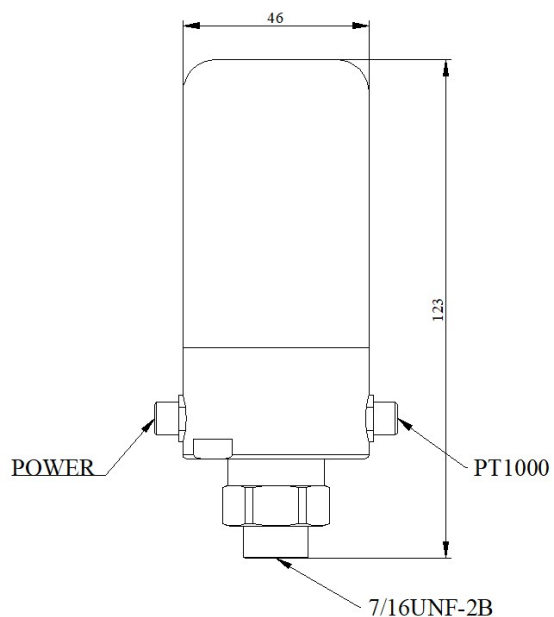
## MAIN FEATURES:

- It supports both battery-powered and external power supply, with Bluetooth communication, easily configured parameters.
- Using the world's first class sensing element, transmitter application-specific integrated circuit and accessories.
- High precision and high quality.
- Compact size.
- Easy installation and high-cost performance transmitter.
- The data can be interacted with APP by using the BLE 4.2 protocol.

## SPECIFICATIONS:

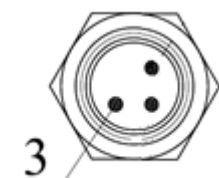
Item	Parameters
Pressure range	0~35 bar
Pressure accuracy	1% F.S.
Overload pressure	1.5 X
Insulation resistance	100 MΩ @100 VDC
Testing medium	Liquid or gas compatible with stainless steel and fluororubber
Temperature range	-50~150 °C
Temperature accuracy	±0.5 °C/F.S.
Power supply	8~30 VDC
	3.6 VDC
Transmission mode	Bluetooth 4.2
Pressure port	7/16-20UNF (female)
Protection rate	IP65
Battery life	More than 12 months
Compensated temperature	(-10~+80) °C
Operating temperature	(-40~+85) °C
Storage temperature	(-45~+85) °C

**OUTLINE DIMENSION:**



External power cable	Definition	Aviation plug
Red	Power supply +	3
Black	Power supply -	2

**AVIATION PLUG FRONT VIEW:**



PT1000 cable	Aviation plug
Red	1
White	2
White	3

*Note: The temperature transmitter PT1000 is connected to aviation plug mark with PT1000, and the external POWER is connected to aviation plug mark with POWER.*