

INTELLIGENT PRESSURE SWITCH TYPE MPM5581



FEATURES:

- Pressure measurement for gas and liquid
- Optional for PNP, voltage and current loop
- Peak value display
- Ranges drift function
- PNP switch point setting, time delay setting for action
- Modbus communication
- OLED display
- Display rotate 180°
- Body rotate 360°
- Change-over of different units

DESCRIPTION:

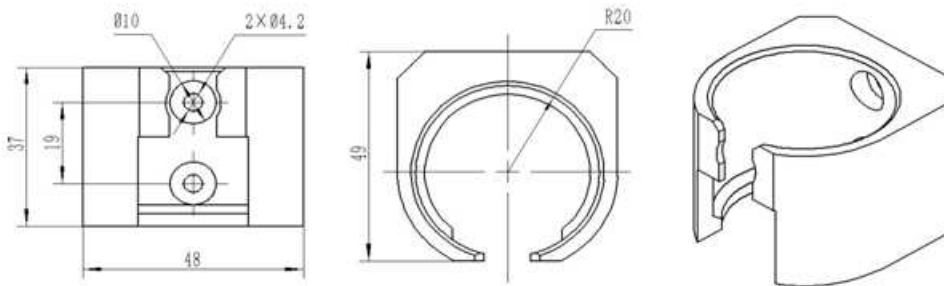
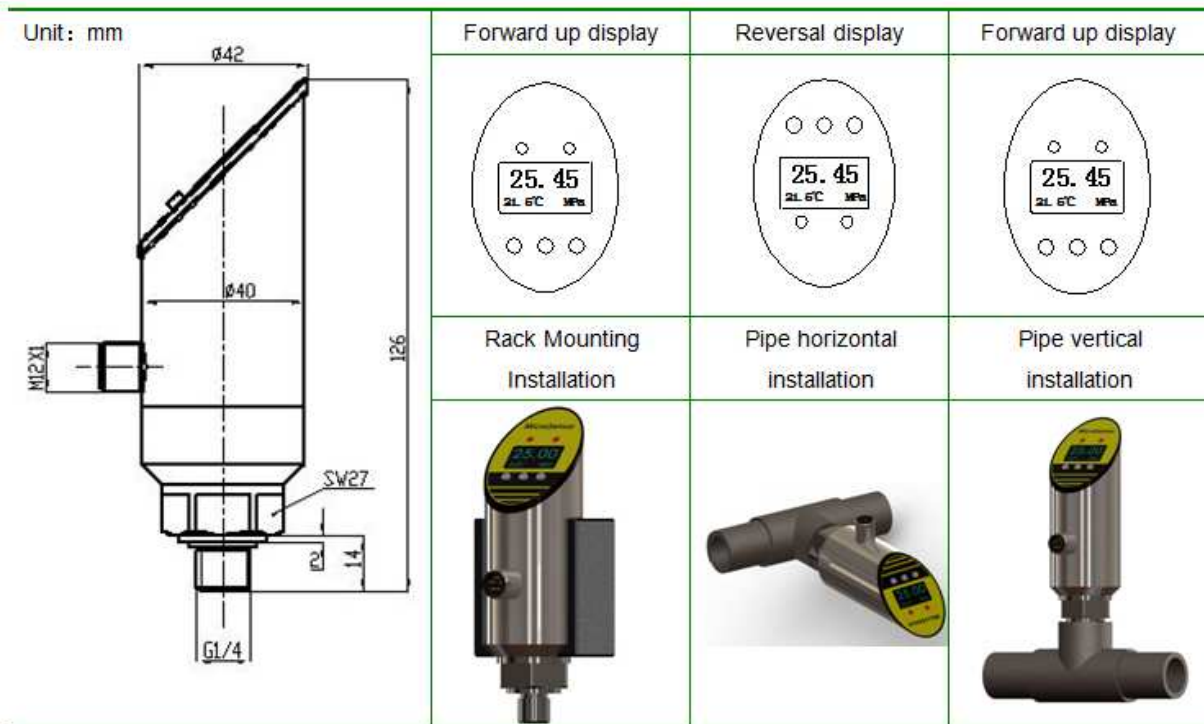
MPM5581 is an intelligent pressure switch combining pressure measurement, local display and control together. It uses advanced ARM industrial-grade MCU as core and high quality pressure sensor as sensing element. MPM5581 has quick reaction and good electro-magnetic compatibility for pressure control at the premise of accuracy. It can be widely used for industrial site pressure control in pump, hydraulic and pneumatic equipments.

SPECIFICATION:

Range: 0.1-0.35-0.7-1.6-3.5-7-10-25-40-60 MPa	Power Supply: 12V~30V DC
Range drift: 25%FS~100%FS	Long Term stability: ±0.3%FS/Year
Overpressure: 2xFS or 100MPa (min. value is valid)	Output:
Pressure type: Gauge, Absolute	1 switch: 1xPNP
Accuracy: ±0.5%FS	2 switch: 2xPNP
Hysteresis: ±0.2%FS/C°	1 switch + voltage out: 1xPNP+0V~5VDC/10VDC
Thermal error: ±0.02%FS/C°	2 switch + voltage out: 2xPNP+0V~5VDC/10VDC
Switch action pattern: Hys. Mode / Win. Mode	1 switch + current out: 1xPNP+0mA/4mA/20mAVDC
Switch current: 1.2A(Max).	2 switch + current out: 2xPNP+0mA/4mA/20mAVDC
Switch life time: >100 times	Switch time daley: 0.00s~ 99.99s
	Switch reaction: <10ms

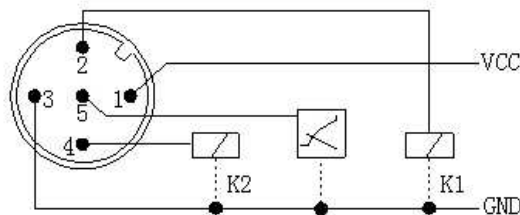
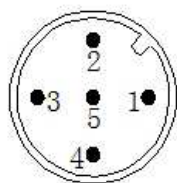
Screen display: Blue 128x64 OLED	Working Temp.: -30℃~70℃
Switch display: 2 red LED	Storage Temp.: -40℃~80℃
Display units: kPa, MPa, bar, psi, kgf/cm2	Relative Humidity: 0%~85%
Key: 3 silicon rubber keys	EMC: GB/T 17626.2/3/4-2006
Temp. display: referenced environment temp.	Shock: ≤10g/10Hz...500Hz (IEC 600068-2-6-2007)
Peak display: Pressure peak in process	Impact: ≤50g/11Hz (IEC 600068-2-27-2008)
Housing: Stainless steel	Protection: IP65
Display board: PMMA	Electric connection: M12x1 round plug
Diaphragm: Stainless steel 17-4/316L	Gross weight: 300g

OUTLINE CONSTRUCTION:



ELECTRIC CONNECTION:

Wire	Color	1×PNP	2×PNP	1×PNP+ Voltage	2×PNP+ Voltage	1×PNP+ Current	2×PNP+ Current
1	Red	VCC					
2	Yellow	K1- Output					
3	Black	GND					
4	Blue	-	K2-Output	-	K2-Output	-	K2-Output
5	Green	-	-	0V~5/10V		0/4mA~20mA	



HOW TO ORDER:

Code	Wire color	1xPNP	2xPNP	1xPNP+ Voltage	2xPNP+ Voltage	1xPNP+ Current	2xPNP+ Current
1	Red	VCC					
2	Yellow	K1- Output					
3	Black	GND					
4	Blue	-	K2-Output	-	K2-Output	-	K2-Output
5	Green	-	-	0V~5/10V		0/4mA~20mA	
6	-	RXD					
7	-	SW					
8	-	TXD					

