

MAIN FEATURES:

- Gauge, absolute, sealed gauge
- Standard male thread for option
- Isolated construction, enable to measure various liquid



DESCRIPTION:

MPM3808 I²C digital output pressure transducer is the OEM piezoresistive pressure sensor with 316L stainless steel corrugated diaphragm and isolated oil-filling construction. The sensing package utilizes silicone oil to transfer pressure from the 316L stainless steel diaphragm to the sensing die. The pressure is transformed to analog electric signal. By customized integrated circuit for temperature compensation and non-linearity correction, it outputs pressure data and temperature data confirming to I²C interface protocol. It is widely used for various liquid pressure measurement which is compatible with stainless steel and Viton.

SPECIFICATIONS:

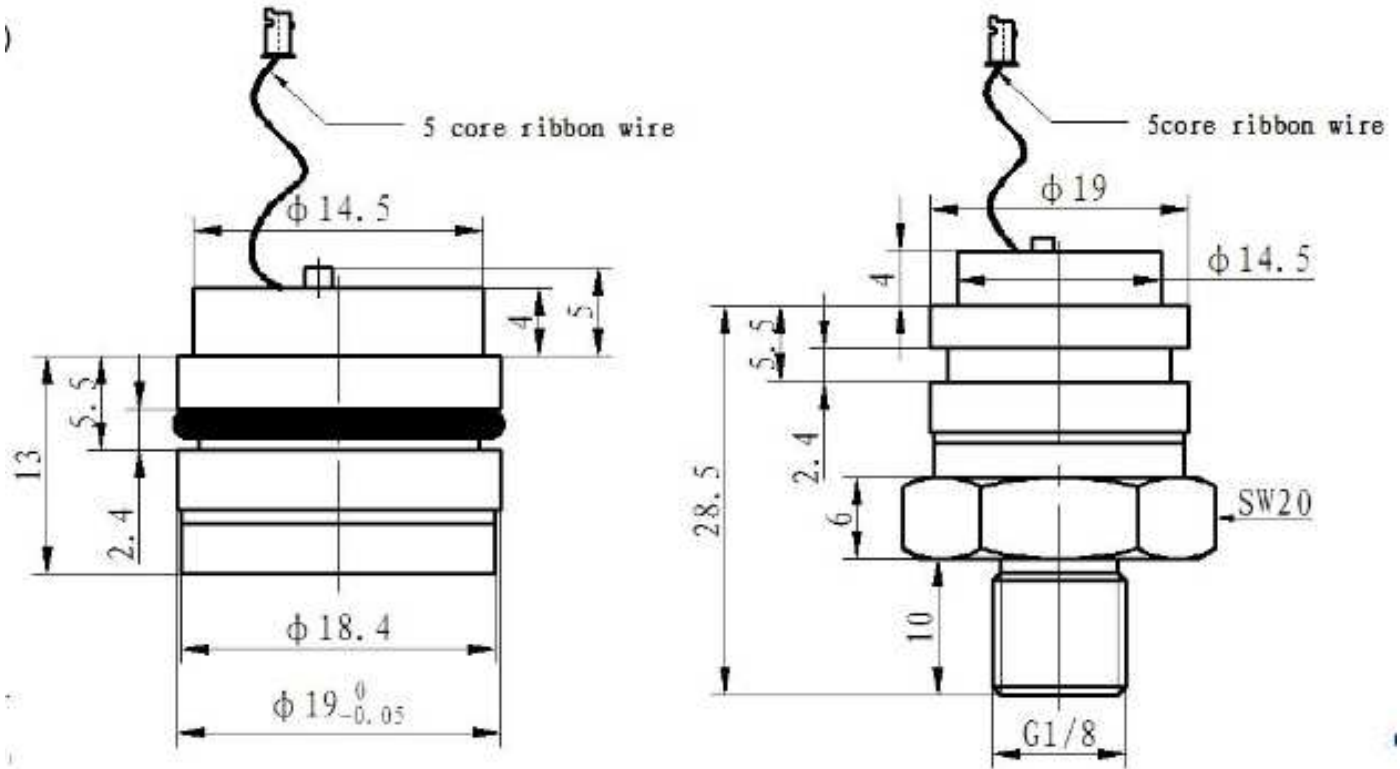
Range	-0.1MPa...0kPa~10kPa...3.5MPa
Pressure type	Gauge, absolute, sealed gauge
Overpressure	1.5FS
Accuracy	±0.5%FS (pressure) / ±1.5°C (temperature)
Power supply	(5±0.1)Vdc; (3.3±0.1)Vdc
Long term stability	±0.3%FS/year
Working temp.	-10°C~+80°C
Storage temp.	-40°C~+125°C
Shock	10g,20Hz~2000Hz
Impact	110g, 11ms

ELECTRIC CONNECTIONS:



Wire color	Electric connection
Black	+IN
Red	Null
Blue	SCL
White	SDA
Yellow	-IN

OUTLINE STRUCTURE:



ORDER GUIDE:

MPM3808		I ² C Digital Output Pressure Transducer			
		Range	Range: -0.1MPa...0kPa~10kPa...3.5MPa		
		[0~X]kPa or MPa	X: actual measured range		
		Code	Power Supply		
		3	(3.3±0.1)VDC		
		5	(5±0.1)VDC		
		Code	Output Signal		
		A	10%~90% (1638~14746)		
		B	5%~95% (819~15563)		
		Code	Pressure Type		
		G	Gauge		
		A	Absolute		
		S	Sealed Gauge		
MPM3808	[0~200] kPa	5	A	G	the whole spec

Global Measurement Srl
 Via Olona 183/N, 21013 GALLARATE (VA)
 Tel: 0331/786999 Fax: 0331/213964
info@global-measurement.it www.global-measurement.it