



DESCRIPTIONS:

PR-II is an electronic price-indicating scale with maximum of 1/30,000 resolution, this scale is designed in a low profile to be conveniently used in open market such as butcher's shop and groceries.

MAIN FEATURES:

- High resolution for weighing (Max. 1/30,000)
- A maximum of 900 hours of battery life when used with Mn and Pb batteries together
- Low profile design
- HI/OK/LOW limit function
- USB port for COMM. & power unit
- Price summation & pay function
- Up to 7 direct PLU memory function
- LCD display & backlight
- Rear display for customers (Bench type)

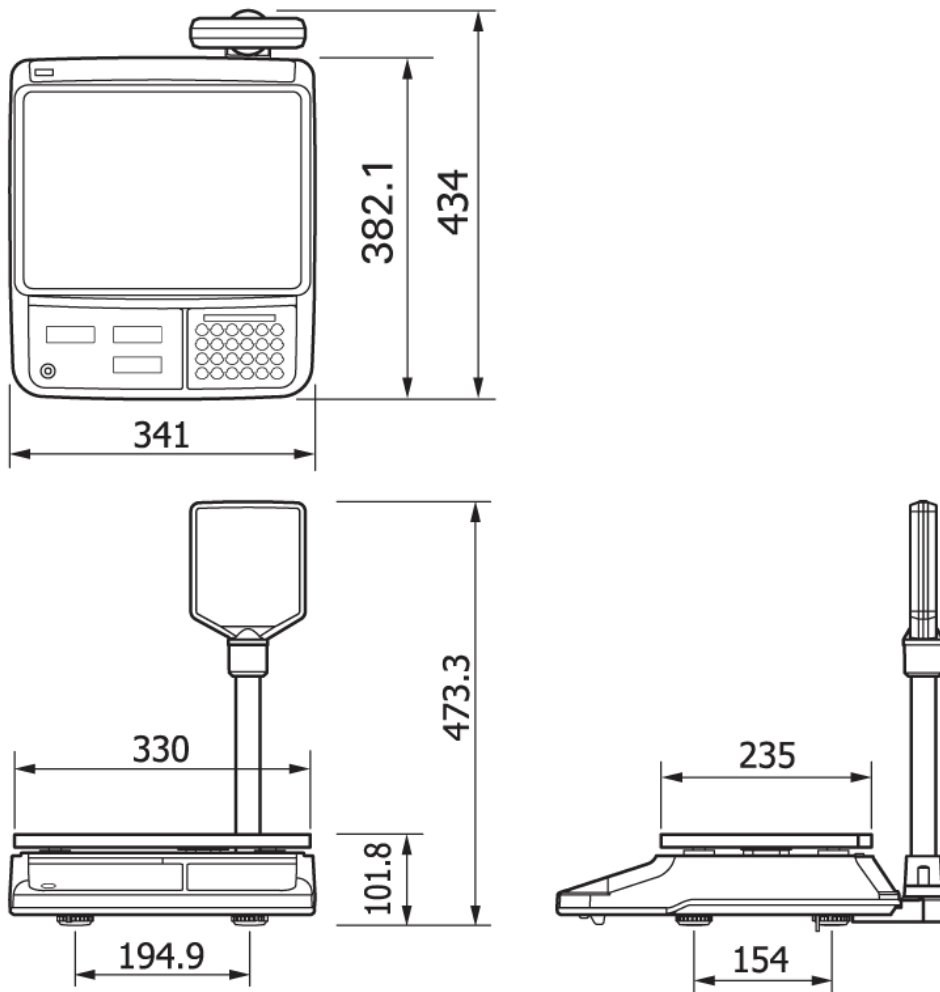
OPTIONS:

- RS232
- Pole type
- Mn battery
- USB port

SPECIFICATIONS:

Model	PR-II-03	PR-II-06	PR-II-15	PR-II-30
Capacity (Kg)	3	6	15	30
Readability (g)	0.5/0.2/0.1 1/0.5 (certificate)	1/0.5/0.2 1/0.5 (certificate)	2/1/0.5 5/2 (certificate)	5/2/1 10/5 (certificate)
Resolution	1/3,000 – 1/30,000			
Display	6/6/6 digit LCD & Backlight			
Power	1.5V x 3 units (D size battery) or Pb battery 4V aAh or 6V adapter			
Dimensions	330x380x105 mm			
Platter size	330x235 mm			

DIMENSIONS:



Global Measurement Srl
 Via Olona 183/N, 21013 Gallarate (VA)
 Tel: 0331/786999 Fax: 0331/213964
info@global-measurement.it www.global-measurement.it